

UB 504/307

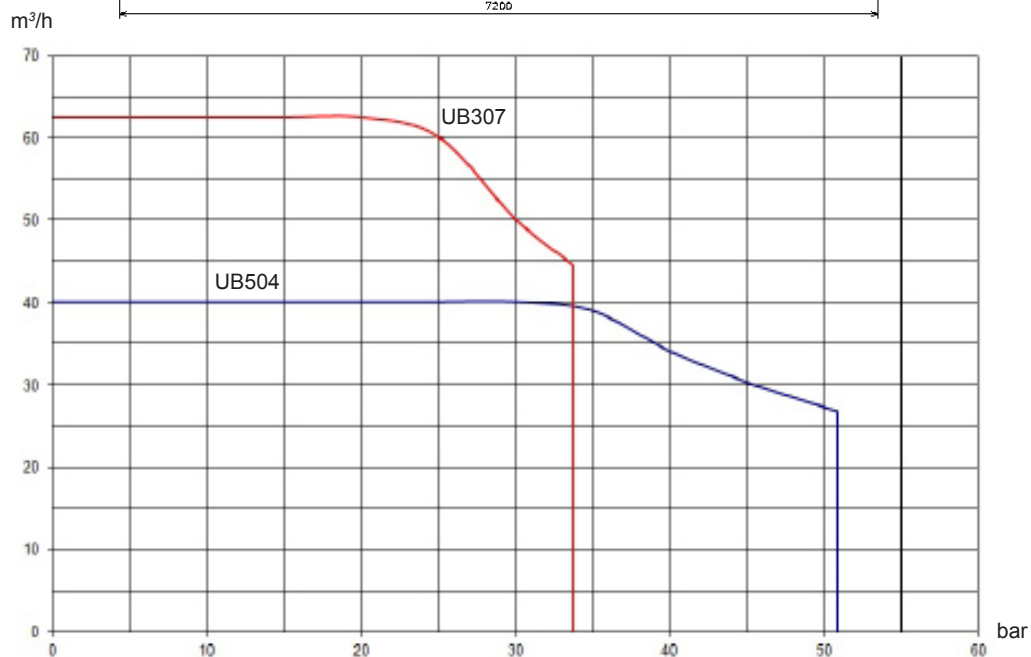
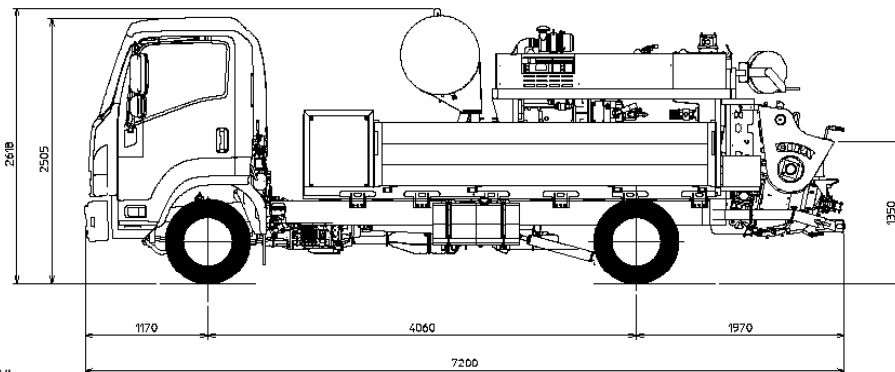
CITY PUMP

Pumping unit
Driven by
Chassis

GP UB 504
Separate engine
2 axles



Dimensions and performance diagrams



UB 504/307

CITY PUMP

| | |
|---------------------|-----------------|
| Pumping unit | GP UB 504 |
| Driven by | Separate engine |
| Chassis | 2 axles |

Main features

- The power source is provided by separate diesel engine.
- Diesel motor
 - STEP 3-A Perkins 404D-22T, water cooled
 - STEP 3-B Deutz TD 3.6 L4, water cooled
- 'S' shaped valve for any type of concrete, made of special steel
- Automatic lubrication for valve and pumping group mixer
- Rapid valve exchange
- Ideal operation even at high pressures with continuous and smooth pumping flow
- Automatic wear compensation
- Hydraulic system in open circuit
- Transformation of the pumping units from high to low pressure or viceversa
- Low noise
- Low running costs
- Easy maintenance and quick cleaning operations
- Machines can work up to -25°
- Quiet pumping with high performances: smooth, continuous and easy movements



Standard equipment

- Electric vibrator on the hopper grid
- Concrete outlet piping with bend and counterbend reductions device 5"-4" and 4"-3"
- Hydraulically driven water pump 50 l/min - 50 bar
- Water tank, 600 l
- Fuel tank, 80 l
- Concrete flow rate regulator on board
- Automatic hose reel + washing nozzle
- Connection flange for washing
- N° 2 sponge rubber balls
- Remote control with 20m cable
- Acoustic signal for diesel engine breakdown
- Two colour Cifa painting, orange-gray

Main Optionals

- Hydraulically controlled air compressor, bicilindrica, two-stage capacity 500 l/min intaken, max. pressure 15 bar, complete with accessories, stopballs cage and stub pipe
- Radio remote control
- Rear camera for manoeuvring
- Oil for cold climate (-25° C)
- Oil for hot climate (>50° C)

Truck

- Available on ISUZU F11, wheelbase 4060mm

Technical data

| Model | | UB 504 | UB 307 |
|--|-------------------|----------|----------|
| Drive power | kW | 43 | 43 |
| Max. theoretical output | m ³ /h | 51 | 34 |
| Max. pressure on concrete | bar | 40 | 62 |
| Max. number of cycles per minute | | 27 | 18 |
| Concrete cylinders (diam. x stroke) | mm | 200x1000 | 200x1000 |
| Concrete hopper capacity | / | 350 | 350 |
| Rod side drive □ / Piston side drive ◆ | | □ | ◆ |

Technical data and characteristics subject to modifications without notice